

# MODEL 2629

## AC/DC Voltage Monitor

- Monitors Over or Under Voltage
- AC or DC from 15 to 260 Volts
- Adjustable Trip Points
- Automatic Reset
- DPDT Relay



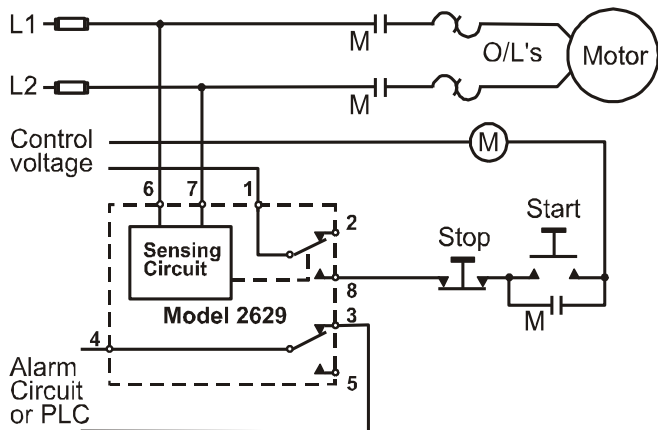
### DESCRIPTION

The **Model 2629 AC/DC Voltage Monitor** is designed to continuously monitor any AC or DC voltage from 15 to 260 volts.

Input voltages above the setpoint cause the output contacts to energize. Input voltages below the setpoint cause the output contacts to de-energize. The dead band between pull-in and drop-out is less than 5%.

Dip switches are used on the Model 2629 to choose between AC and DC voltage monitoring, and to select one of the eight trip level ranges. Each trip level has a user adjustable 35 volt range, with a 5 volt overlap between the ranges. The unit has a screwdriver adjustment to set the trip point within that 35 volt range.

### TYPICAL APPLICATION

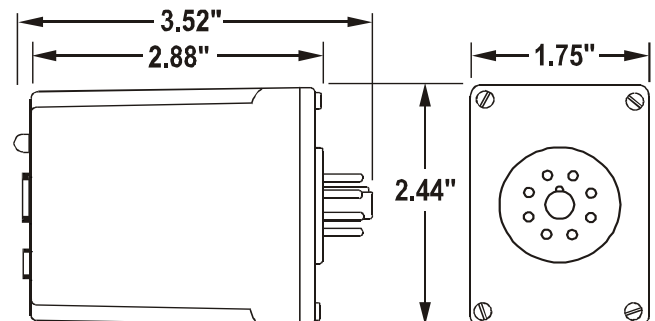


### SPECIFICATIONS

Model	2629
Supply Voltage	15 to 260 VAC or VDC
Max Supply Voltage	280VAC or 300VDC
Power Consumption	1.5 watts max.
Transient Protection	2500V for 10ms
Setpoint Stability	± 1%
Response Time	1 sec ON / 100ms OFF
Reset Type	Automatic
Dead Band	less than 5% all ranges
Contact Rating	DPDT 5A at 240VAC resistive
Expected Relay Life	Mech: 5 million operations Elec: 100,000 at rated load
Operating Temperature	-13° to +122° F
Humidity Tolerance	0-97% without condensation
Enclosure Material	ABS plastic
Weight	5 oz.
Mounting	8-pin socket (*order separately)

\* Order 8-pin socket number **51X120**

### DIMENSIONS



(dimensions have tolerance of ± 0.06)

Main (918) 438-1220  
Sales (800) 862-2875



**TIME MARK**  
CORPORATION

11/2011  
© 2011 TIME MARK CORPORATION

TIME MARK is a division of  **AEMT, Inc.**

# MODEL 2629 AC/DC Voltage Monitor

READ ALL INSTRUCTIONS BEFORE INSTALLING, OPERATING OR SERVICING THIS DEVICE.  
KEEP THIS DATA SHEET FOR FUTURE REFERENCE.

## GENERAL SAFETY

POTENTIALLY HAZARDOUS VOLTAGES ARE PRESENT AT THE TERMINALS OF THE MODEL 2629.  
ALL ELECTRICAL POWER SHOULD BE REMOVED WHEN CONNECTING OR DISCONNECTING WIRING.  
THIS DEVICE SHOULD BE INSTALLED AND SERVICED BY QUALIFIED PERSONNEL.

## Installation Instructions

### WARNING

THE MODEL 2629 IS NOT TO BE USED IN APPLICATIONS WHERE VOLTAGES IN EXCESS OF 300VAC ARE TO BE MONITORED OR SWITCHED.

### INSTALLATION

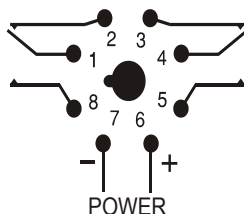
Connect the voltage to be monitored to the socket using the Pin Diagram pictured on this data sheet and on the unit as a reference (contacts are shown in the de-energized condition).

The output contacts used will depend on whether the Model 2629 is used to detect over-voltage or under-voltage, and whether the unit will shut off a load, or trip an alarm.

The monitor's internal relay will energize when the input voltage is above the trip level setting. This allows the unit to be set to detect over-voltage (relay will energize on fault). The LED indicator will illuminate whenever the relay is energized.

**NOTE:** When installing the Model 2629 Voltage Monitor in areas of high humidity or contamination, it is recommended that the base area and all exposed metal parts of the socket be coated liberally with a good quality silicone grease, such as Dow Corning DC-4 or DC-4X. Insert the unit into the socket and wipe off excess grease around the base. This will prevent the entrance of moisture and other contaminants into the base and socket areas.

### PIN DIAGRAM



### ADJUSTMENT PROCEDURE

Select the range where the desired trip voltage falls in between the choices shown on the chart shown below. The same Range Chart is also screened on the unit.

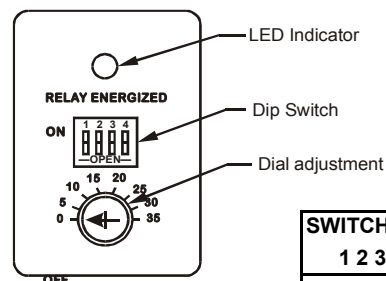
Set the dial to the difference between the desired voltage and the low number selected.

### TROUBLESHOOTING

Should the Model 2629 AC/DC Voltage Monitor fail to operate, check all connections. Verify that the proper voltage is present, and check all fuses. Should problems persist, contact the factory at 800-862-2875, for assistance (Monday thru Friday, 8 a.m. to 5 p.m. CST).

### WARRANTY

This product is warranted to be free from defects in materials and workmanship, and is covered by our exclusive **5-year Unconditional Warranty**. Should this device fail to operate for any reason, we will repair it for five years from the date of manufacture. For complete warranty details, see the *Terms and Conditions of Sales* page in the front section of the Time Mark catalog or contact Time Mark at 1-800-862-2875.



SWITCHES	RANGE	SWITCH
1 2 3		4
0 0 0	15 - 50	ON=DC
1 0 0	45 - 80	OFF=AC
0 1 0	75 - 110	
1 1 0	105 - 140	
0 0 1	135 - 170	
1 0 1	165 - 200	
0 1 1	195 - 230	
1 1 1	225 - 260	
0=OFF 1= ON		

Main (918) 438-1220  
Sales (800) 862-2875



**TIME MARK**  
CORPORATION

11/2011  
© 2011 TIME MARK CORPORATION

TIME MARK is a division of  AEMT, Inc.